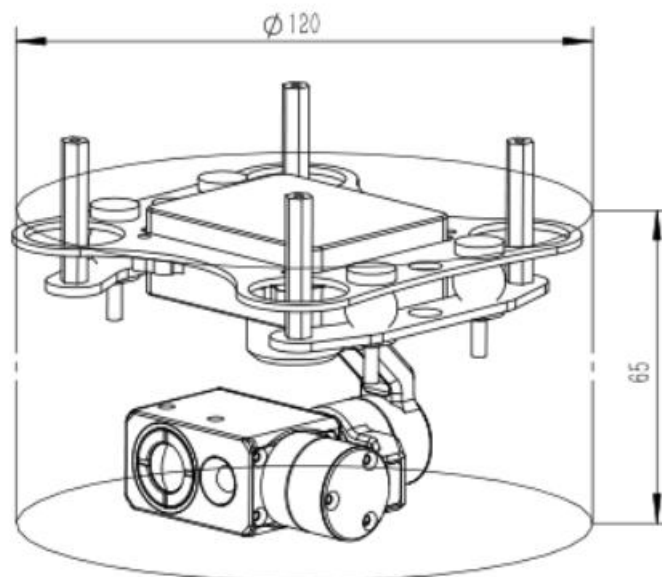


KHP335G609**Fixed focus visible light + 640x512 thermal imaging dual light
120g small gimbal, IP /HDMI output**

KHP335G609 is a fixed focus dual light drone gimbal integrated, Fixed focus visible light camera, 640×512 thermal imaging module, and high-precision professional 3-axis stabilized PTZ. It adopts network IP and HDMI dual output. The gimbal has the characteristics of high stability, small size, light weight and low power consumption; The visible light camera adopts CMOS SENSOR with 4 million effective pixels; The thermal imaging adopts 640×512 resolution vanadium oxide detector. The system supports network RTSP stream output, picture in picture switch, multiple pseudo color display, and global temperature measurement function. Both the serial port and the network can control the cameras and PTZ, support local TF two-way video recording and photography. 9x digital zoom will make the target more visible. This thermal imaging lens has a focal length of 9.1mm.

Advantage

- Fixed focus visible light
- 640×512 IR camera
- 10 modes for pseudo color
- HDMI and IP interface Dual output
- 9x digital zoom
- 4 modes for PIP
- Network and UART control
- 3-Axis stabilized gimbal, 120g

Device structure

KHP335G609

Fixed focus visible light+640 thermal imaging 120g small gimbal

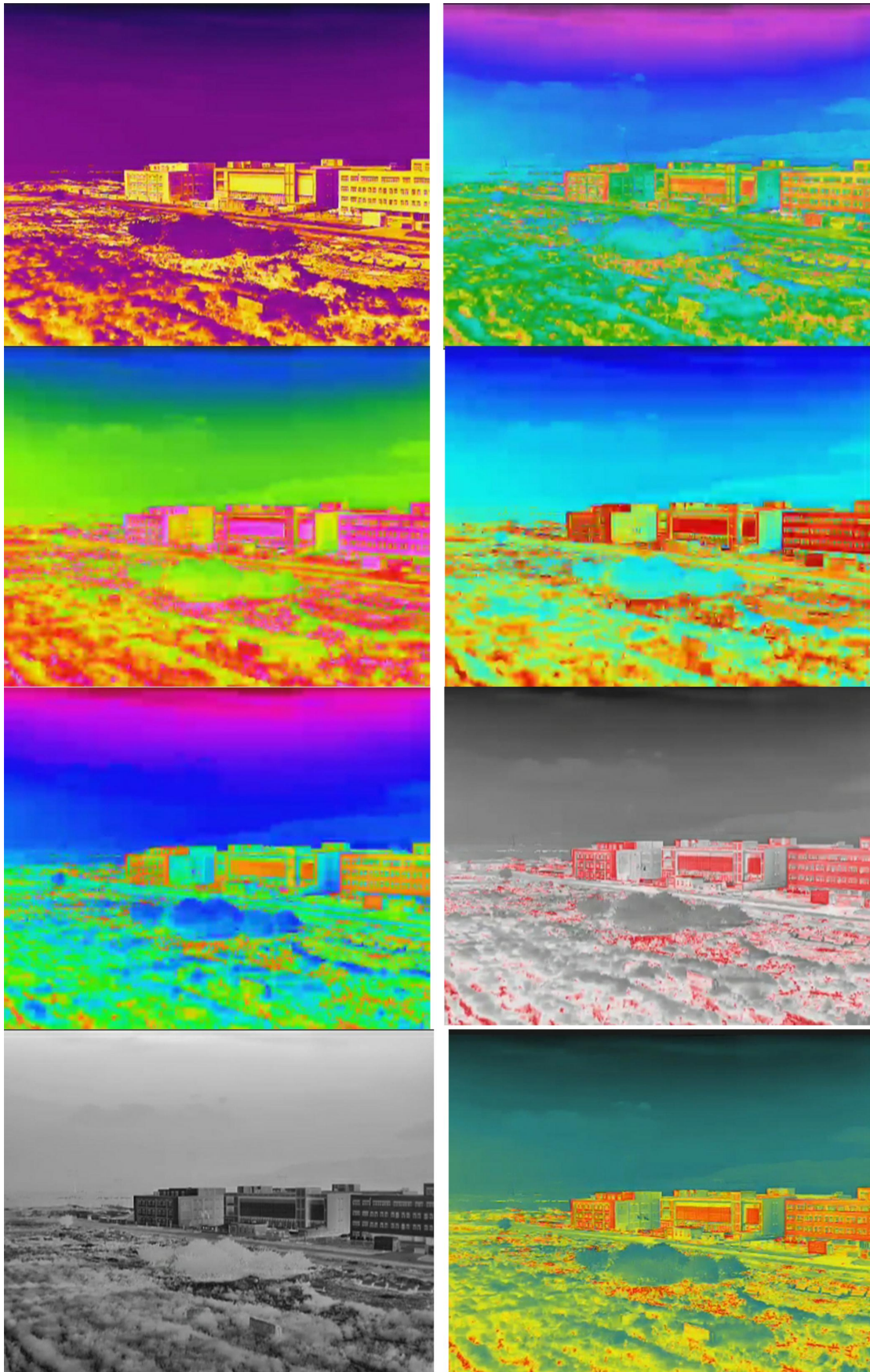


Voltage		DC 12V-26.2V ^②
Power		Dynamic 4W
Technical Parameters	Roll Angle	-45° ~ +45°
	Pitch Angle	-30° ~ +90°
	Yaw Angle	-150° ~ +150°
	Jitter Angle	±0.02°
	Horizontal Jitter Angle	±0.03°
	One-Click Restore	One-click restore to the initial position
	Adjustable Gimbal Speed	When the PTZ rotates, it conducts speed adaptation based on the current speed mode and the multiple of visible light camera.
	Control mode	Support network IP UART control (SBUS and PWM are optional)
Daylight Sensor Parameters	SENSOR	4 Mega Pixels CMOS SENSOR
	Digital Zoom	9x
	Compressed storage mode	H264, H265, video stream local TF storage
	FOV	FOV: 92° × 59°
	HDMI video	Micro-D HDMI 1080P 30fps
	IP output mode	1080P 30fps
Thermal imager Parameters	Resolution	640x512
	Digital Zoom	9x
	resolving power	12μm
	Pixel spacing	8~14μm
	type	Uncooled vanadium oxide detector
	Wavelength range	≤50mk@F1.0@25℃
	Field angle	9.1mm Lens, Angle: 45.8° x 37.3°
Measurement function (optional)	Support global temperature measurement, optional full pixel temperature storage function	
Gimbal Size		φ :120mm H:65mm
Working Condition		-10℃ to +55℃ / 20% to 80% RH
Storage Environment		-20℃ to +60℃ / 20% to 95% RH
Main applications		UAV aerial photography
Weight		120±10g

Note ②: Voltage: DC12V~26.2V, please note that the instantaneous voltage of the power supply cannot exceed 27V.

Pseudo color switching





Picture in picture switching



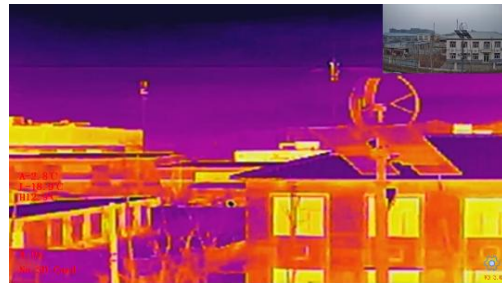
Visible light



Visible light +Thermal infrared



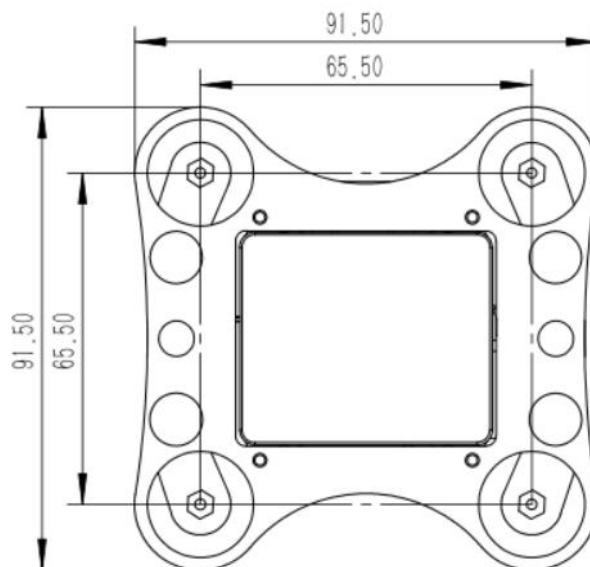
Thermal infrared



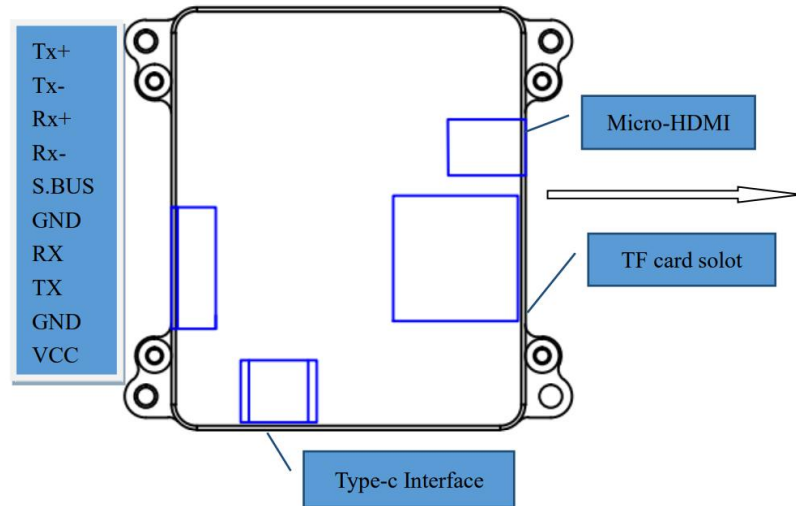
Thermal infrared + Visible light

Structure installation dimension

Installation hole spacing $65.5\text{mm} \times 65.5\text{mm}$; Mounting hole size M3



Connection application diagram



No	Part	Type	Define	Function
1	10PIN	Communication Line	Tx+	IP net
2		Communication Line	Tx-	IP net
3		Communication Line	Rx+	IP net
4		Communication Line	Rx-	IP net
5		Communication Line	S. BUS	S. BUS input
6		Signal Gound	GND	GND
7		Communication Line	RX	Uart receive
8		Communication Line	TX	Uart Send
9		Power Supply Ground	GND	GND
10		Power	VCC	DC 12V-26.2V

* Due to the product upgrade, the appearance/size/weight/power consumption may change slightly. Please contact the sales department for the latest data. Thank you for understanding.